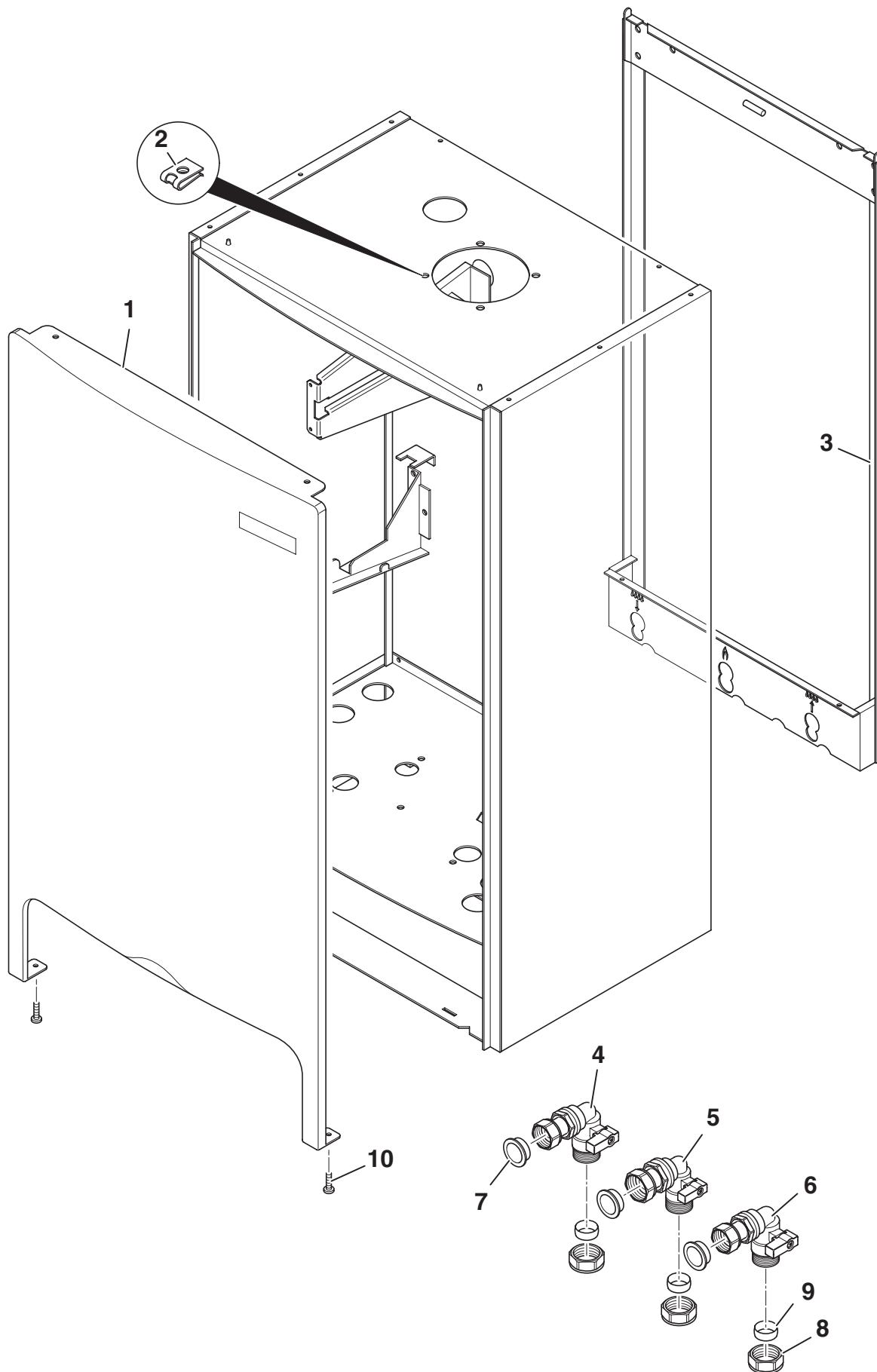


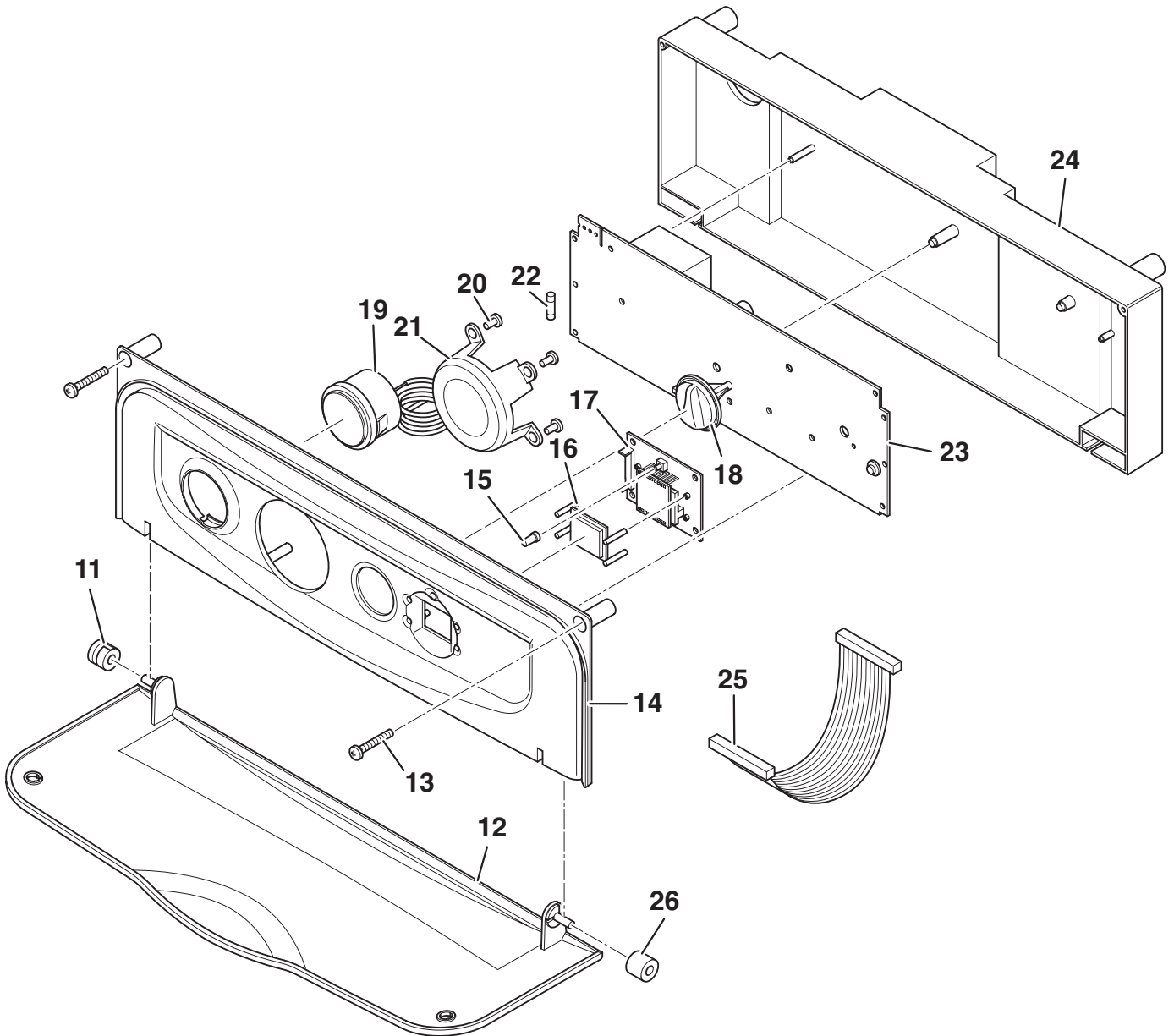
Outer Case



<b>PARTS LIST OUTER CASE</b>				
<b>ITEM</b>	<b>PART NO.</b>	<b>GC. No.</b>	<b>DESCRIPTION</b>	<b>QTY</b>
1	988683	H73-443	FRONT DOOR ASSY	1
	Comprising			
			PAINTED DOOR	1
			DIMPLEX POLYDOME	1
			FRONT PANEL INSULATION	1
2	250514	408-893	SPIRE CLIP	4
3	988678	H73-449	WALL MOUNTING JIG ASSY	1
4	300785	H73-450	CH FLOW COCK	1
5	300784	H73-451	GAS COCK	1
6	300786	H73-452	CH RETURN COCK	1
7	204016	H73-453	22mm TOP HAT WASHER	3
8	200520	181-072	22mm COMPRESSION NUT	3
9	200522	181-024	22mm COMPRESSION OLIVE	3
10	200306	H73-455	M4 X 12 SCREW	2

DIMPLEX SYSTEM 18	41 149 02	Page 3 of 13
DIMPLEX SYSTEM 30	41 149 01	Iss 1
		3/4/09

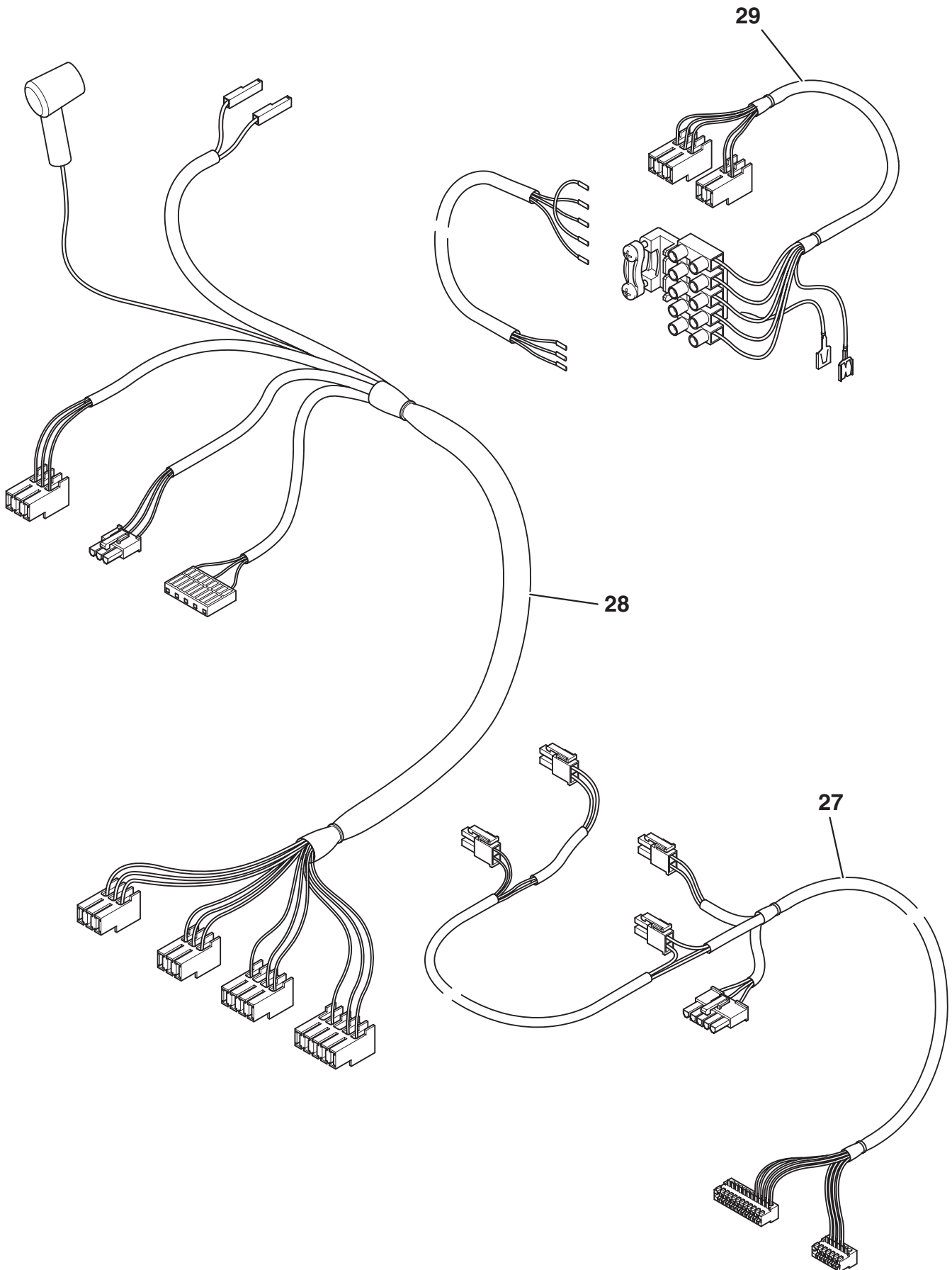
Controls (PCB)



PARTS LIST CONTROL BOX					
ITEM	PART NO.	GC. No.	DESCRIPTION	MODEL	QTY
11	300498	H73-457	HINGE DAMPER		1
12	988730	H73-458	DROP DOWN DOOR		1
	Comprising				
			Drop down door		1
			Button magnet		2
13	203036	H73-459	No.8 X 38 SCREW		2
14A	988734	309-029	CONTROL FASCIA	DIMPLEX SYSTEM 18	1
	Comprising				
			Control Fascia System 18		1
			Magnet striker		2
14B	988735	H73-460	CONTROL FASCIA	DIMPLEX SYSTEM 30	1
	Comprising				
			Control Fascia System 30		1
			Magnet striker		2
15	300494	H73-461	RESET BUTTON		1
16	300495	H73-462	CLEAR LENS		1
17	500700	H73-463	CUI-LCD USER INTERFACE		1
18	300493	H73-464	CONTROL KNOB		1
19	450961	E23-541	PRESSURE GAUGE		1
20	200562	H08-957	M3 X 8 SCREW		4
21	300635	H73-551	CLOCK BLANKING PLATE		1
22	201507	H73-548	FUSE 5X20 4.0 AT		1
23A	988684	H73-466	DIMPLEX SYSTEM PCB KIT	DIMPLEX SYSTEM 18 NG	
	Comprising				
			PCB Dimplex HD		1
			Dimplex PCB replacement instructions		1
			BCC Dimplex System 18 NG		1
23B	988583	H73-468	DIMPLEX SYSTEM PCB KIT	DIMPLEX SYSTEM 30 NG	
	Comprising				
			PCB Dimplex HD		1
			Dimplex PCB replacement instructions		1
			BCC Dimplex System 30 NG		1
23C	988685	H73-470	DIMPLEX SYSTEM PCB KIT	DIMPLEX SYSTEM 18 LPG	
	Comprising				
			PCB Dimplex HD		1
			Dimplex PCB replacement instructions		1
			BCC Dimplex System 18 LPG		1
23D	988584	H73-476	DIMPLEX SYSTEM PCB KIT	DIMPLEX SYSTEM 30 LPG	
	Comprising				
			PCB Dimplex HD		1
			Dimplex PCB replacement instructions		1
			BCC Dimplex System 30 LPG		1
24	300492	H73-477	BACK BOX		1
25	401178	H73-478	RIBBON CABLE		1
26	300497	H73-480	HINGE BUSH (RED)		1

DIMPLEX SYSTEM 18	41 149 02	Page 5 of 13
DIMPLEX SYSTEM 30	41 149 01	Iss 1
		3/4/09

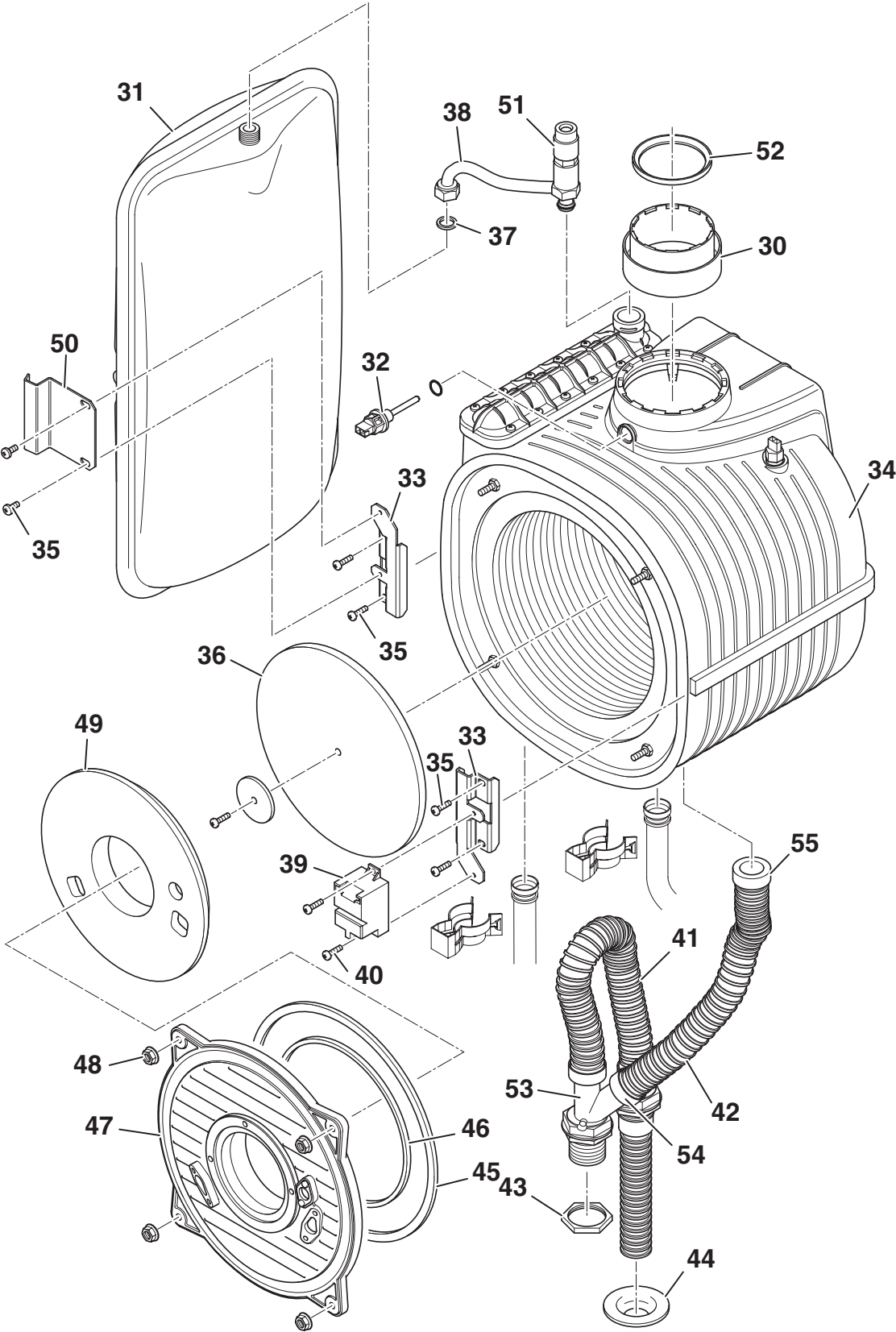
Wiring Harnesses



<b>PARTS LIST HARNESSES</b>				
<b>ITEM</b>	<b>PART NO.</b>	<b>GC. No.</b>	<b>DESCRIPTION</b>	<b>QTY</b>
27	401263	H73-482	LOW VOLTAGE HARNESS	1
28	401267	H73-483	HIGH VOLTAGE HARNESS	1
29	401264	H73-485	MAINS INLET HARNESS	1

DIMPLEX SYSTEM 18	41 149 02	Page 7 of 13
DIMPLEX SYSTEM 30	41 149 01	Iss 1
		3/4/09

Heat Exchanger, Burner Door & Expansion Vessel

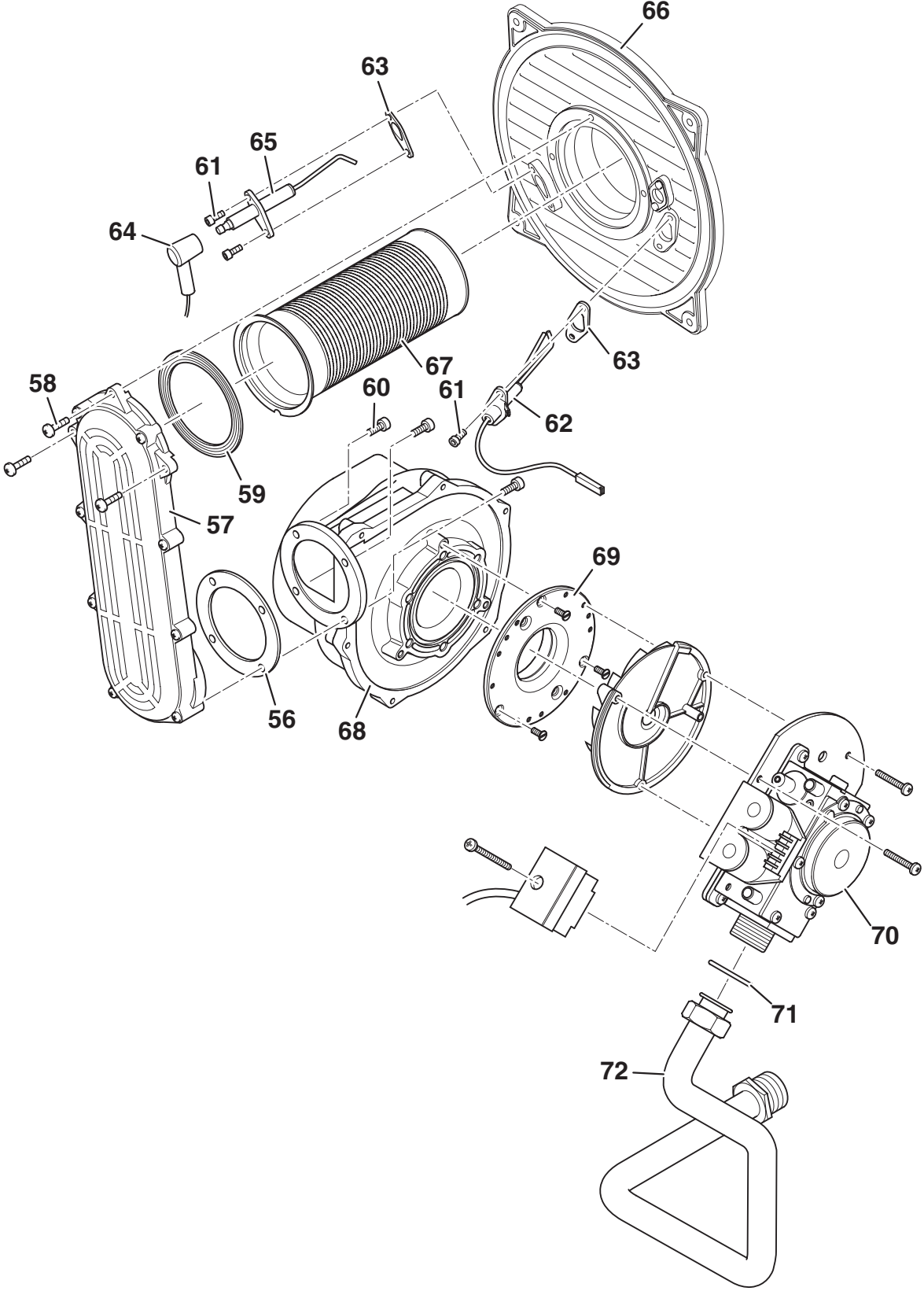


**PARTS LIST HEx, BURNER DOOR, EXP VESSEL**

ITEM	PART NO.	GC. No.	DESCRIPTION	MODEL	QTY
30	300691	H38-477	ISOTHERMIC HEx FLUE ADAPTOR		1
31	451020	H29-237	8LTR EXPANSION VESSEL		1
32	500662	H38-219	FLUE SENSOR		1
33A	191125F	H38-482	HEx SADDLE	DIMPLEX SYSTEM 18	1
33B	191123F	H42-677	HEx SADDLE	DIMPLEX SYSTEM 30	1
34A	451101	H38-217	PRIMARY HEAT ECHANGER	DIMPLEX SYSTEM 18	1
34B	451151	H73-490	PRIMARY HEAT ECHANGER	DIMPLEX SYSTEM 30	1
35	204531	H11-706	M4 x 10 SCREW		8
36	988612		REAR INSULATON KIT		1
	COMPRISING				
			REAR INSULATION BOARD		1
			REAR INSULATION SECURING SCREW		1
			REAR INSULATION WASHER		1
37	352698	H29-239	O'RING 9.5 X 2.6		3
38	451099	H38-466	EXPANSION VESSEL LINK PIPE		1
39	500665	H29-236	SPARK GENERATOR		1
40	204521	H12-017	NO.6 X 3/8" SCREW		2
41	300701	H73-491	EXTERNAL OUTLET CONVOLUTE		1
42	300634	H29-340	CONVOLUTE 370MM LONG		1
43	300630	H29-164	PLASTIC NUT CONDENSATE		1
44	352625	E76-081	SILICONE PIPE GROMMET		2
45	451086	H73-492	BURNER DOOR OUTER SEAL		1
46	451083	H29-726	BURNER DOOR ROPE SEAL		1
47	988570	H73-497	BURNER DOOR ASSEMBLY		1
	COMPRISING				
			BURNER DOOR		1
			VIEWING GLASS		1
			VIEWING GLASS SEALS		2
			VIEWING GLASS BEZEL		1
			M3 X 6 SCREWS		2
			BURNER DOOR OUTER SEAL		1
			BURNER DOOR ROPE SEAL		1
48	451050	H29-165	M6 NUT FOR BURNER DOOR		4
49	352671	H73-498	BURNER DOOR INSULATION		1
50A	191155F	H38-467	EXPANSION VESSEL BRACKET	DIMPLEX SYSTEM 18	1
50B	140325F	H73-502	EXPANSION VESSEL BRACKET	DIMPLEX SYSTEM 30	1
51	300730	H29-179	MANUAL BLEED VALVE		1
52	300686	H38-478	FLUE SEAL		1
53	300673	H73-504	CONDENSATE 'Y' CONNECTOR		1
54	300625	H29-271	CONVOLUTE SEAL 21MM BLACK		1
55	300696	H38-481	CONVOLUTE SEAL 19MM GREY		1

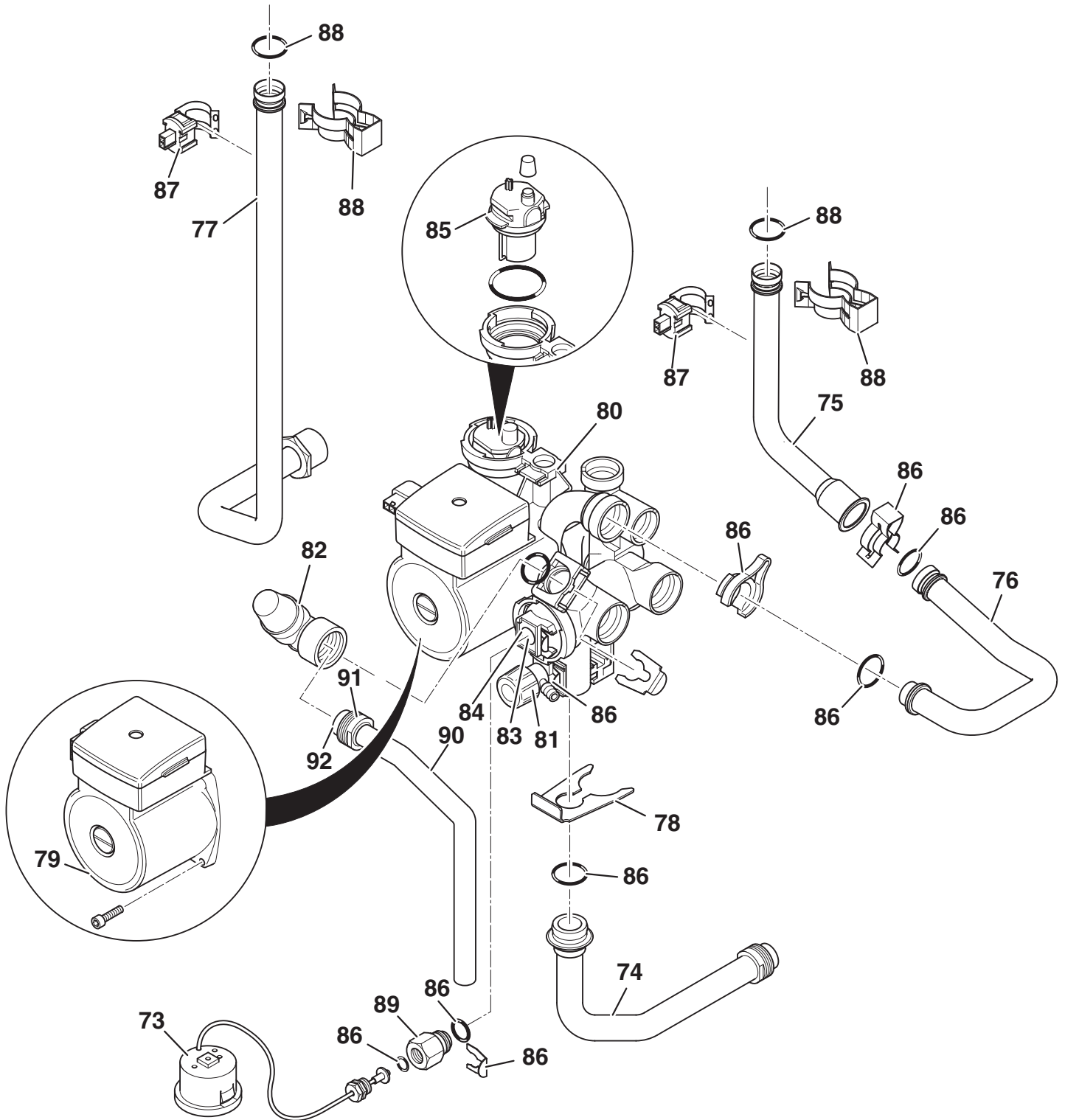
DIMPLEX SYSTEM 18	41 149 02	Page 9 of 13
DIMPLEX SYSTEM 30	41 149 01	Iss 1
		3/4/09

Air / Gas Collector, Fan Assembly, Gas Valve & Swirl Plate Assembly



PARTS LIST GAS TRAIN					
ITEM	PART NO.	GC. No.	DESCRIPTION	MODEL	QTY
56	451046	H29-183	GASKET (AIR GAS INLET)		1
57A	988572	H73-505	EXTENDED AIR GAS CHANNEL ASSY	DIMPLEX SYSTEM 18	1
57B	988571	H73-506	STANDARD AIR GAS CHANNEL ASSY	DIMPLEX SYSTEM 30	1
58	451107	H41-878	M5 X 18 SCREW		3
59	988546	H38-226	HEAT EXCHANGER SEAL AND CLIP KIT		1
	COMPRISING				
			BURNER GASKET		1
			HEAT EXCHANGER PIPE CLIP		2
			O'RING 18 I/D X 2.8 SECTION		2
60	200542	H29-189	M5 X 12 SCREW		4
61	202502	E23-695	M4 X 10 SCREW		4
62	988526	H29-740	IGNITION ELECTRODE KIT		1
	COMPRISING				
			IGNITION ELECTRODE		1
			ELECTRODE GASKET		1
			M4 X 10 SCREW		2
63	352683	H29-169	ELECTRODE GASKET		2
64	401267	H73-483	HIGH VOLTAGE HARNESS		1
65	988540	H38-213	IONISATION ELECTRODE KIT		1
	COMPRISING				
			IONISATION ELECTRODE		1
			ELECTRODE GASKET		1
			M4 X 10 SCREW		2
66	988570	H73-497	BURNER DOOR ASSEMBLY		1
	COMPRISING				
			BURNER DOOR		1
			VIEWING GLASS		1
			VIEWING GLASS SEALS		2
			VIEWING GLASS BEZEL		1
			M3 X 6 SCREWS		2
			BURNER DOOR OUTER SEAL		1
			BURNER DOOR ROPE SEAL		1
67A	700600	H29-171	BURNER	DIMPLEX SYSTEM 18	1
67B	700602	H29-173	BURNER	DIMPLEX SYSTEM 30	1
68	601016	H38-215	FAN ASSEMBLY		1
69	251046	H38-464	FAN ADAPTOR		1
70A	988675	H73-513	GAS CONTROL VALVE ASSY NG	DIMPLEX SYSTEM 18	1
	COMPRISING				
			GAS VALVE ASSY WITH SCREWS AND SWIRL PLATE		1
			DIMPLEX GAS VALVE REPLACEMENT INSTRUCTIONS		1
			THROTTLE ADJUSTMENT TOOL		1
			FIBRE WASHER 23 O/D X 17 I/D		1
70B	988676	H73-515	GAS CONTROL VALVE ASSY NG	DIMPLEX SYSTEM 30	1
	COMPRISING				
			GAS VALVE ASSY WITH SCREWS AND SWIRL PLATE		1
			DIMPLEX GAS VALVE REPLACEMENT INSTRUCTIONS		1
			THROTTLE ADJUSTMENT TOOL		1
			FIBRE WASHER 23 O/D X 17 I/D		1
71	352686	H29-197	FIBRE WASHER 23 O/D X 17 I/D		1
72A	451186	H73-516	GAS PIPE	DIMPLEX SYSTEM 18	1
72B	451170	H73-517	GAS PIPE	DIMPLEX SYSTEM 30	1

Pump & Hydraulics



PARTS LIST WATER SET					
ITEM	PART NO.	GC. No.	DESCRIPTION	MODEL	QTY
73	450961	E23-541	PRESSURE GAUGE		1
74	451184	H73-518	CH RETURN PIPE - EXTERNAL		1
75	451173	H73-519	CH RETURN PIPE UPPER- INTERNAL		1
76	451175	H73-520	CH RETURN PIPE LOWER- INTERNAL		1
77A	451174	H73-523	CH FLOW PIPE	DIMPLEX SYSTEM 18	1
77B	451172	H73-524	CH FLOW PIPE	DIMPLEX SYSTEM 30	1
78	140331F	H73-525	PIPE CLIP 18MM		1
79	500672	H29-202	15/60 PUMP HEAD		1
80	500746	H73-528	COMPLETE SYSTEM IWC ASSEMBLY		1
81	500708	H73-529	IWC MANUAL BLEED COCK		1
82	500751	H73-533	3 BAR PRESSURE RELIEF VALVE (WITH O'RING)		1
83	500776	H73-534	CH FILTER		1
84	500778	H73-535	BAYONET CAP OPEN (WITH SEAL)		1
85	500752	H73-536	AUTO AIR VENT (WITH SEAL)		1
86	988670	H73-537	HYDROBLOCK SEAL & CLIP KIT		1
	COMPRISING				
			BAYONET PIPE CLIP		1
			10MM PIPE CLIP		2
			SEAL FOR PLATE HEAT EXCHANGER		2
			O'RING 17 I/D X 4 SECTION		2
			O'RING 9.5 I/D X 2.6 SECTION		2
			EPDM NEOPRENE SEAL 18MM		1
			O'RING 4.3 I/D X 3.53 SECTION		1
			O'RING 18 I/D X 2.8 SECTION		1
			PIPE SPRING CLIP		1
87	500661	H29-213	WATER TEMPERATURE SENSOR		2
88	988546	H38-226	HEAT EXCHANGER SEAL AND CLIP KIT		1
	COMPRISING				
			BURNER GASKET		1
			HEAT EXCHANGER PIPE CLIP		2
			O'RING 18 I/D X 2.8 SECTION		2
89	300780	H73-538	PRESSURE GAUGE ADAPTOR		1
90	451171	H73-543	PRESSURE RELIEF PIPE		1
91	200560	H11-697	1/2" BSP X 15MM FLANGED NUT		1
92	200561	H11-698	15MM OLIVE		1

<b>PARTS LIST CONTROL 0X</b>				
<b>PART NO.</b>	<b>GC. No.</b>	<b>DESCRIPTION</b>	<b>MODEL</b>	<b>QTY</b>
955134	H73-544	<b>NG to LPG</b> CONVERSION KIT	<b>DIMPLEX SYSTEM 8</b>	
Comprising				
		Conversion Instructions		1
		Throttle Adjustment Tool		1
		Propane Data badge		1
		BCC Dimplex System 18 LPG		1
		Propane Conversion Badge		1
955141	H73-545	<b>LPG to NG</b> CONVERSION KIT	<b>DIMPLEX SYSTEM 8</b>	
Comprising				
		Conversion Instructions		1
		Throttle Adjustment Tool		1
		Nat. Gas Data badge		1
		BCC Dimplex System 18 NG		1
955133	H73-546	<b>NG to LPG</b> CONVERSION KIT	<b>DIMPLEX SYSTEM 0</b>	
Comprising				
		Conversion Instructions		1
		Throttle Adjustment Tool		1
		Propane Data badge		1
		BCC Dimplex System 30 LPG		1
		Propane Conversion Badge		1
955140	H73-547	<b>LPG to NG</b> CONVERSION KIT	<b>DIMPLEX SYSTEM 0</b>	
Comprising				
		Conversion Instructions		1
		Throttle Adjustment Tool		1
		Nat. Gas Data badge		1
		BCC Dimplex System 30 NG		1