



**GLEN DIMPLEX
BOILERS**

System 18 System 30

System Condensing Boilers



User's Operating
Instructions

These instructions should be left with the user

SECTION	DESCRIPTION	PAGE
1.0	Using the Boiler	3
2.0	Problem Solving	4
3.0	Safety	5
4.0	Error Codes	6
5.0	Additional Information	7

Read these instructions carefully before trying to operate the appliance.

GAS COUNCIL NUMBERS

Natural Gas

Dimplex System 18 - Gas Council Appliance No: **41 149 02**

Dimplex System 30 - Gas Council Appliance No: **41 149 01**

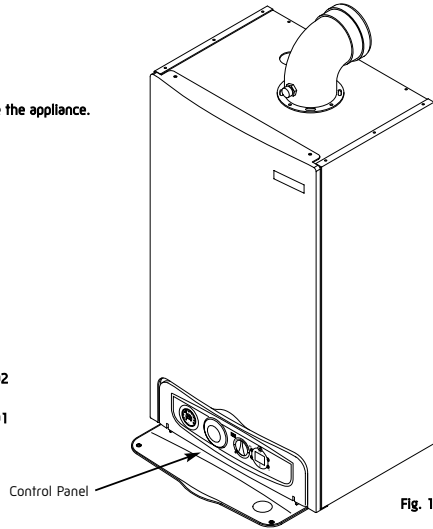


Fig. 1

1.1 CONTROL PANEL

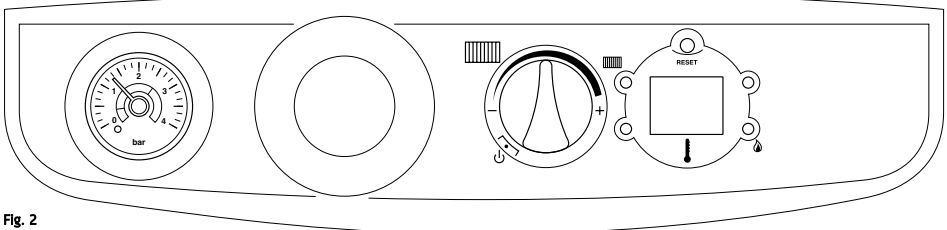


Fig. 2

System Pressure Gauge

Central Heating
Temperature Control

Display and Indicator
Lights

1.2 SYSTEM PRESSURE GAUGE

The normal operating water pressure is shown when the needle is in the GREEN section of the gauge between 1 and 2 bar.

If the pressure drops too low the system will need topping up via the filling loop.

If the pressure exceeds 3 bar the pressure relief valve will operate and a fault may be indicated. Contact your installer (see section 1.5).

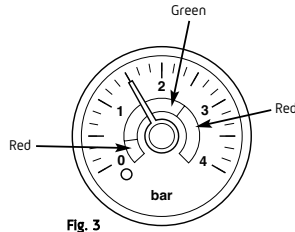


Fig. 3

1.3 CH - CENTRAL HEATING TEMPERATURE CONTROL

Switch shown in the OFF position.

Turn the knob clockwise to increase the temperature of the central heating.

min = 30°
max = 80°

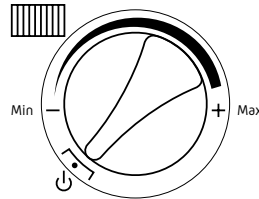


Fig. 4

1.4 CH CENTRAL HEATING

If you adjust the central heating temperature (set point), the display will light and show the temperature you have set. After 10 seconds the display will revert to showing the current boiler central heating temperature and the backlight will switch off after a further 10 seconds.

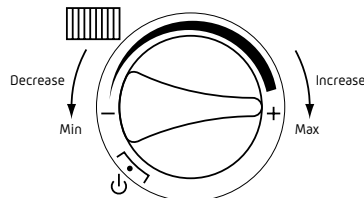


Fig. 5

1.5 RE-PRESSURISING THE SYSTEM

To re-pressurise the system, locate the filling loop and connect to the two valves. Open one valve completely then carefully open the other valve until the pressure gauge shows 1.5 bar (halfway round the green section of the dial). Shut both valves and disconnect the filling loop.

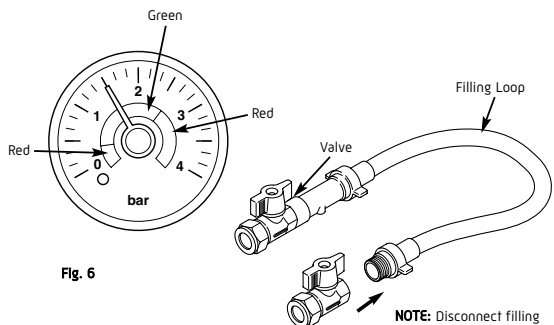
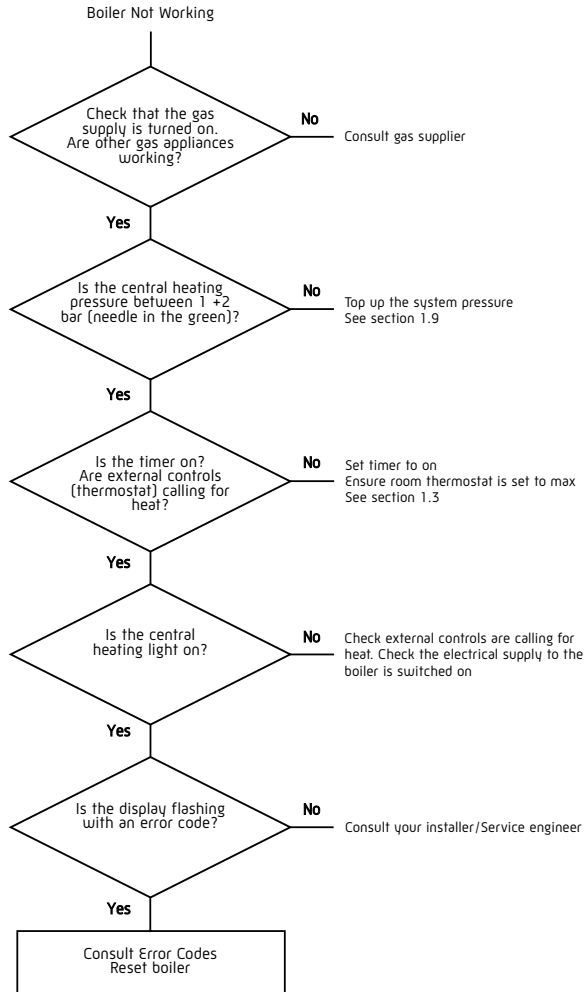


Fig. 6

NOTE: Disconnect filling loop after re-pressurising

2.1 STEP BY STEP GUIDE



Note:

If the boiler requires resetting frequently contact your installer or service engineer.
If the Reset button is pressed for more than 3 seconds then the screen will display 'sequence indication' mode. Press the button for less than 3 seconds to cancel.

Fig. 7

3.1 GENERAL SAFETY

DO NOT interfere with any sealed components and use the appliance only in accordance with these instructions.

This appliance is not intended for use by persons (including children) with reduced physical, sensory or mental capabilities, or lack experience and knowledge, unless they have been given supervision or instructions concerning use of the appliance by a person responsible for their safety. Children should be supervised to ensure that they do not play with the appliance.

3.2 CURRENT GAS SAFETY (INSTALLATION & USE) REGULATIONS

It is the law that all gas appliances are installed by a competent person in accordance with the above regulations. Failure to install appliances correctly could lead to prosecution. It is in your own interest, and that of safety, to ensure that the law is complied with. If the appliance is damaged, turn off the appliance and consult a CORGI registered engineer. If it is known or suspected that a fault exists on the appliance it **MUST NOT** be used until the fault has been rectified by a competent person.

3.3 ELECTRICAL SUPPLY

This appliance must be earthed.

Supply: 230V - 50Hz fused at 3A.

The method of connection to the mains supply must facilitate complete isolation of the appliance. Either a 3A fused three pin plug and unswitched shuttered socket outlet, or a 3A fused double pole switch having a 3mm contact separation in both poles, serving only the boiler (and its external controls), may be used.

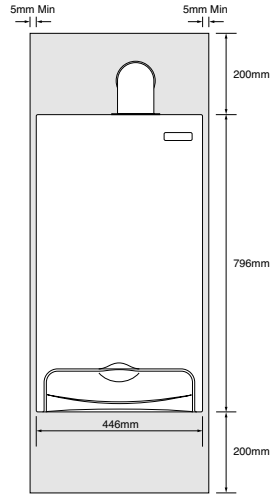
3.4 CLEARANCES AND VENTILATION

1. A flat vertical area is required for the installation of the boiler.
2. Where an open flued (B23) system is used then an air vent must be provided in the same room or internal space of the flue duct air inlet, with a minimum free area of:

System 18 = 88cm²
 System 30 = 159cm²

3. These dimensions include the necessary clearance around the boiler for ease removal, spanner access and air movement. Additional clearances may be required for the passage of pipes around local obstructions such as joists running parallel to the front face of the boiler.
4. When installed in a cupboard or compartment it is not permissible to store other objects in the cupboard. Additionally no flammable objects/items must be allowed to come into contact with the boiler.
5. The boiler does not require additional ventilation when it is installed in a cupboard or compartment. The exception to this is where an open flue system has been installed - See note 3.4.2.

Clearances



Clearances

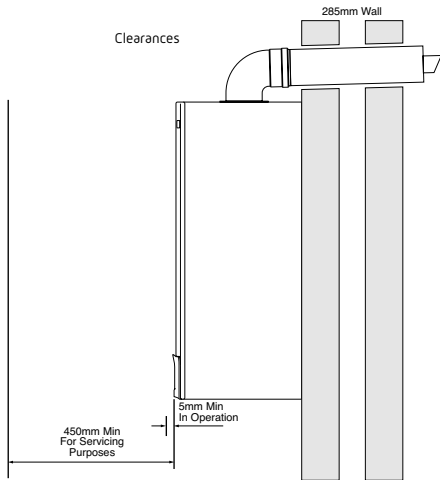


Fig. 8

The boiler is in an ERROR state when there is an error code flashing on the back lit display.

CH = Central Heating BCC = Boiler Chip Card

Press and release the RESET button, the control tries to initiate a restart if possible

ERROR CODE	DESCRIPTION	REASON	ACTION	RESET POSSIBLE
1	Overheated appliance	CH Water temperature greater than 105°C	<ul style="list-style-type: none"> •Check no air is in heat exchanger/CH system •Check plate heat exchanger for blockages •Check CH thermistor •Check system bypass is functional 	Y
4	No flame	No flame signal on ignition	<ul style="list-style-type: none"> •Check detection electrode/lead – electrode may require cleaning •Check spark gap •Check gas supply & pressure •Check flue system is connected properly •Check condensate trap not blocked •Check gas valve and/or lead 	Y
5	Flame loss	Loss of flame signal during operation	<ul style="list-style-type: none"> •Check detection electrode/lead •Check gas valve mains lead 	Y
6	Temporarily overheated appliance	Water temperature greater than 95°C	<ul style="list-style-type: none"> •Check overheat thermostat •Check no air is in heat exchanger/CH system •CH system and hot water plate heat exchanger blockage •Check CH thermistor •Check system bypass is functional 	Auto Re-start after 1 minute
7	Overheated appliance	Flue over temperature > 92°C	<ul style="list-style-type: none"> •Check no air in heat exchanger •Check flue thermistor •Check flue system •Check pump •Check PCB/X8 connector 	Y
11	Flame simulation	Flame detected when gas valve closed	<ul style="list-style-type: none"> •Check detection electrode/lead electrode may require cleaning •Check gas valve operation. 	Y
41	Water flow failure/ Flame for a short period only	Low water pressure Reversed sensors	<ul style="list-style-type: none"> •Check CH flow circulation •Check water pressure(> 0.5 bar) •Check pump/lead •Check expansion vessel •Check flow and return sensors connected correct way around 	Y
42	Water flow failure/ Flame for a short period only	Low water pressure No flow Dry run protection	<ul style="list-style-type: none"> •Check no air in heat exchanger •Check CH flow circulation •Check water pressure(> 0.5 bar) •Check pump/lead •Check expansion vessel 	Y

5.1 BOILER LOGBOOK

The logbook is included inside the Installation instructions. This logbook should be completed by your installer to verify that the correct installation and commissioning procedure was followed.

Failure to complete the logbook may result in difficulties should a problem arise with your appliance during the guarantee period.

This logbook forms part of the industry's Benchmark code of practice for the installation, commissioning and servicing of central heating systems.

All CORGI registered installers carry a CORGI identification card and have a registration number. You can check your installer is registered by telephoning 0870 4012300 or writing to:-

1 Elmwood
Chineham Business Park
Crockford Lane
Basingstoke
RG24 8WG

or check online at www.corgi-gas-safety.com

These appliances meet the requirements of:

Gas Appliance Directive	90/396/EEC
Efficiency of Hot Water Boilers Directive	92/42/EEC
Low Voltage Directive	92/42/EEC
Electromagnetic Compatibility Directive	92/31/EEC

Type test certified by:- Notified Body 0087 (Pin 87BT49).

Product/Production certified by:
Notified Body 0086.

For GB/IE only.

5.2 GENERAL CARE

The front panel should be cleaned with a damp cloth and mild detergent. Do not use abrasive cleaners.

5.3 ROUTINE SERVICING

To ensure continued efficient operation of the appliance, it is recommended that it is checked and serviced as necessary at regular intervals. The frequency of servicing will depend upon the particular installation conditions and usage but in general once a year should be adequate. It is law that any service work must be carried out by a competent person such as British Gas or other CORGI Registered personnel.

5.4 EMERGENCY

WARNING – If a gas leak is suspected or exists, turn the gas OFF at the incoming mains (adjacent to the meter), Do not operate any electrical switches. Do not operate any electrical appliances. Open all windows and doors. Do not smoke. Extinguish all naked lights. Phone the Transco 24 hour emergency number immediately on 0800 111 999 (Do not call from a mobile phone).

5.5 PLUMBING FROM TERMINAL

Like all condensing boilers this appliance will produce a plume of condensation from the flue terminal. This is due to the high efficiency and hence low flue gas temperature of the boiler. It is normal and not a fault indication.

The boiler is fitted with a condensate trap.

The condensate drain point must not be modified or blocked (see section 7.6 of the installation manual).

5.6 TO TURN THE BOILER OFF

For short or long periods

Switch the programmer and/or room thermostat switch to the **OFF** position.

NOTE: The appliance is fitted with a frost protection device in the event of very cold conditions. Providing there is mains power supply to the appliance, the frost protection mode is integral. If the system temperature falls below 5°C then the boiler will fire on its minimum setting until a flow temperature of 30°C is reached. Further protection can be incorporated by using a system frost thermostat.

The pump will automatically operate for 1 minute in every 24 hours to prevent sticking.

5.7 BOILER OVERHEAT PROTECTION

In the event of overheating, the boiler will shut down and the digital display will show '1'. Allow the boiler to cool, then briefly turn the CH control knob fully anti-clockwise to the RESET/STANDBY position and then back to 'ON' within two seconds.

If the fault persists, consult a CORGI Registered installer.



GLEN DIMPLEX BOILERS

Glen Dimplex Boilers
Stoney Lane
Prescot
Merseyside. L35 2XW

For all telephone enquiries call:
0844 371 2222

website:
www.glendimplexboilers.com

Part of the Glen Dimplex Group

Glen Dimplex Boilers is continually improving its products and therefore
reserve the right to change product specifications without prior notice.
Errors & omissions excepted.

SALES AND SERVICE HELPLINE: 0844 371 1111